



Rehab MAC Flat Platform Option

Date _____ Account # _____
 Company _____
 Account Contact _____
 Bill to Address _____
 City _____ ST _____ Zip _____
 Tel: _____ Fax _____
 Email: _____

PO # _____
 Ship to _____
 Ship to Attention _____
 Ship to Address _____
 City _____ ST _____ Zip _____
 Tel: _____ Fax _____
 Comments _____

STANDARD FEATURES

- Heavy duty frame and parts (400 lbs Weight Capacity)
- Infinite adjustment 45° of tilt in space (22.5° anterior/22.5° posterior)
- 8" Fixed Head and Foot Sides
- 8" Casters
- 20" Rear Wheels
- Height Adjustable Stroller Handle
- 5 year warranty on all Gunnell designed products.
- 90 Days on All Padding

E1161 ¹FPC-001\$2,945.00

FRAME OPTIONS (Reference Drawing)

CLASSIC COLOR N/C

- | | | | |
|--|--|--|--|
| <input type="checkbox"/> Gloss Black | <input type="checkbox"/> Graphite Black | <input type="checkbox"/> Black Wrinkle | <input type="checkbox"/> Lime Green |
| <input type="checkbox"/> Forest Green | <input type="checkbox"/> Cornflower Blue | <input type="checkbox"/> Baby Blue | <input type="checkbox"/> Midnight Blue |
| <input type="checkbox"/> Tangerine | <input type="checkbox"/> Ruby Red | <input type="checkbox"/> Traffic Red | <input type="checkbox"/> Maroon |
| <input type="checkbox"/> Sunny Yellow | <input type="checkbox"/> Bubblegum Pink | <input type="checkbox"/> Raspberry | <input type="checkbox"/> Blue Violet |
| <input type="checkbox"/> Signal Violet | <input type="checkbox"/> Sky White | <input type="checkbox"/> Grey Smoke | <input type="checkbox"/> Misty Grey |

FASHION COLOR \$250.00

- | | | | |
|---------------------------------------|---|---------------------------------------|---|
| <input type="checkbox"/> Candy Blue | <input type="checkbox"/> Candy Purple | <input type="checkbox"/> Candy Red | <input type="checkbox"/> Sparkle Orange |
| <input type="checkbox"/> Glitter Blue | <input type="checkbox"/> Glitter Silver | <input type="checkbox"/> Glitter Gold | <input type="checkbox"/> Black Stardust |
| <input type="checkbox"/> Silver Vein | | | |

SPECTRUM COLOR \$100.00

Additional more than 200 colors available. Please go to
www.gunnell-inc.com/PDF/ColorFlyer.pdf to choose.

PLATFORM WIDTH (Dimension IDW)

- ^{1,2}FPW 27" Standard Platform Width\$750.00
^{1,2}FPCM-001 _____" Custom Platform Width\$950.00

PLATFORM LENGTH (Dimensions IDL)

- Overall platform length _____"
^{1,3}FPCM-002 If the Overall Total is 60" or under\$750.00
FPCM-002A If the Overall Total is greater than 60" - 70"\$950.00
FPCM-002B If the Overall Total is greater than 71" - 80"\$1,050.00

PLATFORM TO FLOOR HEIGHT (Dimension H)

- ^{1,6}FPFH 30" Platform to Floor Height\$750.00
⁶FPCM-003 _____" Custom Platform to Floor Height\$1,050.00

PLATFORM SIDES (Dimension SH)

- ^{1,7,8,9}FPO-001 8" Fixed Head and Foot SidesN/C
^{7,8,9}FPO-001F 8" Fixed Platform Sides
 (EACH) # _____ of sides x \$495.00\$ _____
^{7,8,9}FPO-002 8" Flip Down Hinged Sides with Dual Locking Clamps
 (EACH) # _____ of sides x \$775.00\$ _____
^{7,8,9}FPO-002A 8" Adjustable Angle Positive Locking Sides
 (EACH) # _____ of sides x \$1,100.00\$ _____
^{7,8,9}FPO-002R 8" Removable Platform Sides
 (EACH) # _____ of sides x \$880.00\$ _____
^{7,8,9}FPO-002RA 8" Removable Angle Adjustable Positive Locking Sides:
 (EACH) # _____ of sides x \$1,280.00\$ _____
^{7,8,9}FPO-006 Custom Height Sides
 (MUST SPECIFY) _____" Desired Height
 (EACH) # _____ of sides x \$125.00\$ _____

PLATFORM TILT IN SPACE

- FPTIS Anterior(22.5°)/Posterior(22.5°) Tilt in SpaceN/C
PPCM-006 Custom Anterior(A)/Posterior(P) Tilt in Space\$800.00
45° A / 0° P 40° A / 5° P 35° A / 10° P 30° A / 15° P
25° A / 20° P 20° A / 25° P 15° A / 30° P 10° A / 35° P
5° A / 40° P 0° A / 45° P

WHEEL OPTIONS

- ^{1,7}FPRW 20" Rear WheelsN/C
FPO-004 24" Wheels (ONLY available on heights 26"+)\$350.00
FPO-005 Flat Free Wheel Option\$125.00

STROLLER HANDLE OPTIONS

- FPSH Height Adjustable Stroller HandleN/C
FPO-003 Height & Angle Adjustable Stroller Handle\$599.00

CUSTOM OPTIONS

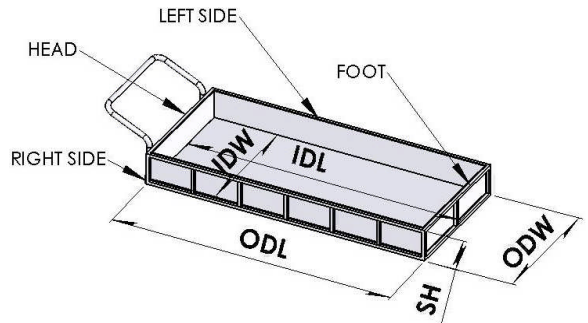
- FPCO-003 Lateral Tilt\$3,500.00
FPCO-TP Transportation Package\$1,250.00
FPCO-005 Tapered Corners\$275.00
FPCO-012 Roller Bumpers\$275.00
FPCO-008 IV-pole\$400.00
PPCO-001 Vent Tray\$399.00
 (Specify Dimensions) Length _____" Width _____" Height _____"

POWER OPTIONS

- FPCO-PATS Tilt in Space\$4,500.00
FPCO-PALT Lateral Tilt\$4,500.00
PPCO-PALF Power Lift\$9,450.00

BASE PADDING OPTIONS

- FPBP-001 1" Poly Base Pad\$350.00
FPBP-002 1" Sunmate Base Pad (SPECIFY DENSITY)\$600.00
Soft Medium
FPBP-003 2" Poly Base Pad\$450.00
FPBP-004 2" Sunmate Base Pad (SPECIFY DENSITY)\$900.00
Soft Medium
FPBP-005 Vinyl Padding Cover with Zipper\$120.00
FPBP-006 Dartex Padding Cover with Zipper\$700.00
FPBP-007 Rubatex Padding Cover with Zipper\$500.00
FPBP-008 Simplex Seating System Foam in Place\$1,800.00
FPBP-009 Custom Base PaddingQuote



Tel: 800-551-0055 Fax: 800-794-5483 www.gunnell-inc.com

Specifications and prices are subject to change without notice.

F110FPC-1402 Revised May 2014



Rehab MAC Flat Platform Option

SIDE PADDING OPTIONS

<input type="checkbox"/> FPSP-001	1/2" Poly Side Pads (each) # _____ of sides x \$290.00.....\$ _____
<input type="checkbox"/> FPSP-002	1/2" Sunmate Side Pads (specify density & quantity) <input type="checkbox"/> Soft <input type="checkbox"/> Medium # _____ of sides x \$450.00.....\$ _____
<input type="checkbox"/> FPSP-003	1" Poly Side Pads (EACH) # _____ of sides x \$390.00.....\$ _____
<input type="checkbox"/> FPSP-004	1" Sunmate Side Pads (SPECIFY DENSITY & QUANTITY) <input type="checkbox"/> Soft <input type="checkbox"/> Medium (EACH) # _____ of sides x \$650.00.....\$ _____
<input type="checkbox"/> FPSP-005	Vinyl Padding Cover with Zipper (each)\$120.00
<input type="checkbox"/> FPSP-006	Dartex Padding Cover with Zipper (EACH) # _____ of sides x \$480.00.....\$ _____
<input type="checkbox"/> FPSP-007	Rubatex Padding Cover with Zipper (EACH) # _____ of sides x \$360.00.....\$ _____
<input type="checkbox"/> FPSP-008	Custom Side Padding.....Quote

FOOTNOTES

1. Gunnell will select factory settings if no setting is made
2. Inside Width (IDW): The measurement between side pads, side ABS, or width of top platform, whichever is smallest
3. Inside Length (IDL): The measurement between side pads, side ABS, or width of top platform, whichever is smallest
4. Outside Width (ODW): Inside Width, IDW, plus the following measurement whenever applicable:
 - (i) 2" for fixed sides;
 - (II) 3" for hinged flip down sides;
 - (III) 4" for removable sides when sides not removed;
 - (IV) 5" for angle adjustable locking sides; and
 - (V) padding thickness
5. Outside Width is the Inside Width for removable sides when sides removed
6. Platform to Floor Height: measurement from the ground to the top of the platform below the ABS. Add seat base padding for desired final Platform to Floor Height where applicable.
7. Maximum 4 sides: head, foot, left side and right side.
8. Side Height: measurement from the top of sides to the top of steel platform, ABS, or base pads, whichever is the smallest
9. Factory setting of 8" Side Height is measured from top of steel platform to the top of sides
10. Tilt in Space is released by a cable assembly and require no tools.

Tel: 800-551-0055 Fax: 800-794-5483 www.gunnell-inc.com

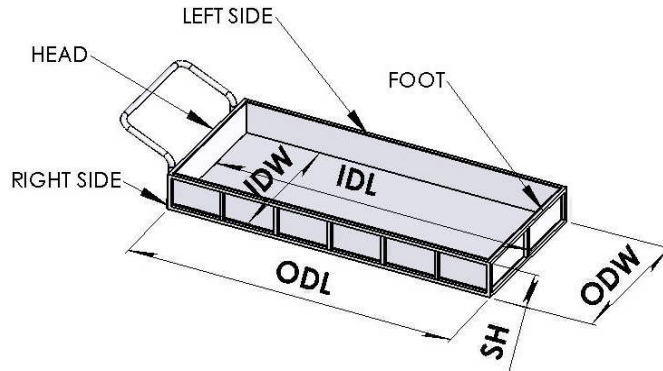
Specifications and prices are subject to change without notice.

F110FPC-1402 Revised May 2014

Rehab MAC Flat Platform Option

Dear Customer,

In an effort to serve you better, please verify your purchase order # _____ regarding the information of a Gunnell Platform Chair. The sketch below describes your order as we understand it. Please verify the information (change them if necessary), sign this form acknowledging your agreement and fax to (800) 794-5483. Please contact customer service at (800) 551-0055 if you have any further questions.



FINISHED PRODUCT DIMENSIONS

Inside Length IDL: _____ inches

Inside Width IDW: _____ inches

Outside Length ODL: _____ inches

Outside Width ODW: _____ inches

Height of Side (see notes 7,8,9 above) SH: _____ inches

Platform to Floor Height (see note 6 above) H: _____ inches

Maximum allowable cart width (maximum allowable cart width for going through doors) ODW: _____ inches

PLATFORM SIDES

Number of Sides (including head and foot): _____

Head

Foot

Left Side

Right Side

OPTIONS

Base pad thickness: _____ inches.

Side pad thickness : _____ inches.

The above information is correct:

_____ Date: _____

Signed

Print Name

Tel: 800-551-0055 Fax: 800-794-5483 www.gunnell-inc.com

Specifications and prices are subject to change without notice.

F110FPC-1402 Revised May 2014