



Rehab MAC Self Propelling Gurney Option

Date _____ Account # _____
 Company _____
 Account Contact _____
 Bill to Address _____
 City _____ ST _____ Zip _____
 Tel _____ Fax _____
 Email: _____

PO # _____
 Ship to _____
 Ship to Attention _____
 Ship to Address _____
 City _____ ST _____ Zip _____
 Tel _____ Fax _____
 Comments _____

STANDARD FEATURES

- Heavy duty frame and parts (400 lbs Weight Capacity)
- 8" Casters
- 20" Rear Wheels
- Height Adjustable Stroller Handle
- 5 year warranty on all Gunnell designed products.
- 90 Days on All Padding

WHEEL OPTIONS

- ¹SPW20 20" Rear Wheels.....N/C
- SPR24 24" rear Wheels\$350.00
- SP-FF Flat Free Wheel Option.....\$125.00

STROLLER HANDLE OPTIONS

- ¹SPSH Height Adjustable Stroller Handle.....N/C
- SPO-003 Height & Angle Adjustable Stroller Handle.....\$599.00

CUSTOM OPTIONS

- SPCO-TS Tilt in Space.....\$1,500.00
 - SPCO-003 Lateral Tilt.....\$3,200.00
 - SPCO-TP Transportation Package.....\$1,250.00
 - SPCO-001 Tapered Corners.....\$375.00
 - SPCO-012 Roller Bumpers.....\$375.00
 - SPCO-002 IV-pole.....\$400.00
 - SPCO-013 Anti Tip.....\$100.00
 - SPCO-019 Vent Tray.....\$399.00
- (Specify Dimensions) Length _____" Width _____" Height _____"

POWER OPTIONS

- SPCO-PATS Tilt in Space.....\$4,500.00
- SPCO-PALT Lateral Tilt.....\$4,500.00
- SPCO-PALF Power Lift.....\$9,450.00

PLATFORM BASE PADDING OPTIONS

- SPBP-001 1" Poly Base Pad.....\$350.00
- SPBP-002 1" Sunmate Base Pad (SPECIFY DENSITY).....\$600.00
 - Soft Medium
- SPBP-003 2" Poly Base Pad.....\$450.00
- SPBP-004 2" Sunmate Base Pad (SPECIFY DENSITY).....\$900.00
 - Soft Medium
- SPBP-005 Vinyl Padding Cover with Zipper.....\$385.00
- SPBP-006 Darlex Padding Cover with Zipper.....\$700.00
- SPBP-007 Rubatex Padding Cover with Zipper.....\$960.00
- SPBP-009 Custom Base Padding.....Quote

¹SPG-001.....\$3,225.00

FRAME OPTIONS (Reference Drawing)

CLASSIC COLOR _____ N/C

- | | | | |
|---|--|--|--|
| <input type="checkbox"/> ¹ Gloss Black | <input type="checkbox"/> Graphite Black | <input type="checkbox"/> Black Wrinkle | <input type="checkbox"/> Lime Green |
| <input type="checkbox"/> Forest Green | <input type="checkbox"/> Cornflower Blue | <input type="checkbox"/> Baby Blue | <input type="checkbox"/> Midnight Blue |
| <input type="checkbox"/> Tangerine | <input type="checkbox"/> Ruby Red | <input type="checkbox"/> Traffic Red | <input type="checkbox"/> Maroon |
| <input type="checkbox"/> Sunny Yellow | <input type="checkbox"/> Bubblegum Pink | <input type="checkbox"/> Raspberry | <input type="checkbox"/> Blue Violet |
| <input type="checkbox"/> Signal Violet | <input type="checkbox"/> Sky White | <input type="checkbox"/> Grey Smoke | <input type="checkbox"/> Misty Grey |

FASHION COLOR\$260.00

- | | | | |
|---------------------------------------|---|---------------------------------------|---|
| <input type="checkbox"/> Candy Blue | <input type="checkbox"/> Candy Purple | <input type="checkbox"/> Candy Red | <input type="checkbox"/> Sparkle Orange |
| <input type="checkbox"/> Glitter Blue | <input type="checkbox"/> Glitter Silver | <input type="checkbox"/> Glitter Gold | <input type="checkbox"/> Black Stardust |
| <input type="checkbox"/> Silver Vein | | | |

SPECTRUM COLOR\$100.00

Additional more than 200 colors available. Please go to
www.gunnell-inc.com/PDF/ColorFlyer.pdf to choose.

PLATFORM WIDTH (Dimension IDW)

- ^{1,2}SPW 22" Standard Platform Width.....\$750.00
- ²SPCW-001 _____" Custom Platform Width\$950.00

PLATFORM LENGTH (Dimensions IDL)

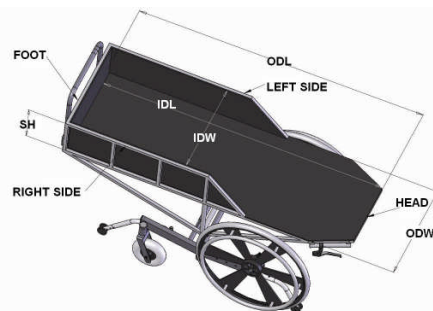
- ^{1,3}SPL Standard platform length 70".....\$750.00
- ³SPCL-001 _____" Custom Platform Length\$950.00

PLATFORM TO FLOOR HEIGHT (Dimension H)

- ^{1,6}SPFH20 18" Platform to Floor Height (with 20" wheels).....\$750.00
- ^{1,6}SPFH24 22" Platform to Floor Height (with 24" wheels).....\$850.00
- ⁶SPFH-001 _____" Custom Platform to Floor Height.....\$1,150.00

PLATFORM SIDES (Dimension SH)

- ^{1,7,8,9}SPS-001 8" Fixed Foot Side.....N/C
- ^{7,8,9}SPS-001F 8" Fixed Sides
 - # _____ of sides x \$425.00.....\$ _____
- ^{7,8,9}SPS-002 8" Flip Down Hinged Sides
 - # _____ of sides x \$775.00.....\$ _____
- ^{7,8,9}SPS-003 8" Adjustable Angle Positive Locking Sides
 - (EACH) # _____ of sides x \$1,100.00.....\$ _____
- ^{7,8,9}SPS-002R 8" Removable Platform Sides
 - (EACH) # _____ of sides x \$880.00.....\$ _____
- ^{7,8,9}SPS-002RA 8" Removable Angle Adjustable Positive Locking Sides:
 - (EACH) # _____ of sides x \$1,280.00.....\$ _____
- ^{7,8,9}SPS-005 Custom Height Sides
 - (MUST SPECIFY) _____" Desired Height
 - (EACH) # _____ of sides x \$125.00.....\$ _____



Tel: 800-551-0055 Fax: 800-794-5483 www.gunnell-inc.com

Specifications and prices are subject to change without notice.

info@gunnell-inc.com Revised Feb 2021



Rehab MAC Self Propelling Gurney Option

SIDE PADDING OPTIONS

<input type="checkbox"/> SPSP-001	1/2" Poly Side Pads (each) # _____ of sides x \$290.00.....\$ _____
<input type="checkbox"/> SPSP-002	1/2" Sunmate Side Pads (specify density & quantity) <input type="checkbox"/> Soft <input type="checkbox"/> Medium # _____ of sides x \$450.00.....\$ _____
<input type="checkbox"/> SPSP-003	1" Poly Side Pads (EACH) # _____ of sides x \$390.00.....\$ _____
<input type="checkbox"/> SPSP-004	1" Sunmate Side Pads (SPECIFY DENSITY & QUANTITY) <input type="checkbox"/> Soft <input type="checkbox"/> Medium (EACH) # _____ of sides x \$650.00.....\$ _____
<input type="checkbox"/> SPSP-005	Vinyl Padding Cover with Zipper (each)\$120.00
<input type="checkbox"/> SPSP-006	Darlex Padding Cover with Zipper (EACH) # _____ of sides x \$480.00.....\$ _____
<input type="checkbox"/> SPSP-007	Rubatex Padding Cover with Zipper (EACH) # _____ of sides x \$439.00.....\$ _____
<input type="checkbox"/> SPSP-008	Custom Side Padding.....Quote

FOOTNOTES

1. Gunnell will select factory settings if no setting is made
2. Inside Width (IDW): The measurement between side pads, side ABS, or width of top platform, whichever is smallest
3. Inside Length (IDL): The measurement between side pads, side ABS, or width of top platform, whichever is smallest
4. Outside Width (ODW): Inside Width, IDW, plus the following measurement whenever applicable:
 - (i) 2" for fixed sides;
 - (II) 3" for hinged flip down sides;
 - (III) 4" for removable sides when sides not removed;
 - (IV) 4.5" for angle adjustable locking sides; and
 - (V) padding thickness
5. Outside Width is the Inside Width for removable sides when sides removed
6. Platform to Floor Height: measurement from the ground to the top of the platform below the ABS. Add seat base padding for desired final Platform to Floor Height where applicable.
7. Maximum 4 sides: head, foot, left side and right side.
8. Side Height: measurement from the top of sides to the top of steel platform, ABS, or base pads, whichever is the smallest
9. Factory setting of 8" Side Height is measured from top of steel platform to the top of sides

Tel: 800-551-0055 Fax: 800-794-5483 www.gunnell-inc.com

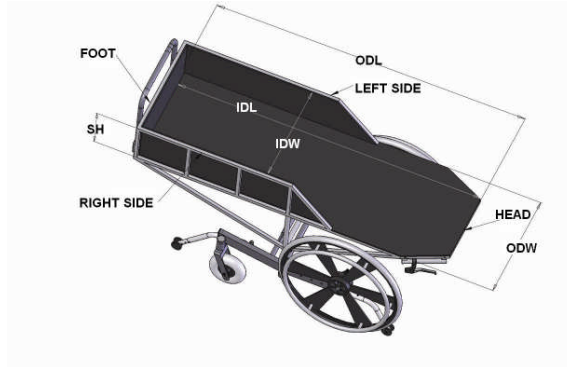
Specifications and prices are subject to change without notice.

info@gunnell-inc.com Revised Feb 2021

Rehab MAC Self Propelling Gurney Option

Dear Customer,

In an effort to serve you better, please verify your purchase order # _____ regarding the information of a Gunnell Platform Chair. The sketch below describes your order as we understand it. Please verify the information (change them if necessary), sign this form acknowledging your agreement and fax to (800) 794-5483. Please contact customer service at (800) 551-0055 if you have any further questions.



FINISHED PRODUCT DIMENSIONS

Inside Length IDL: _____ inches

Inside Width IDW: _____ inches

Outside Length ODL: _____ inches

Outside Width ODW: _____ inches

Height of Side (see notes 7,8,9 above) SH: _____ inches

Platform to Floor Height (see note 6 above) H: _____ inches

Maximum allowable cart width (maximum allowable cart width for going through doors) ODW: _____ inches

PLATFORM SIDES

Number of Sides (including head and foot): _____

Head

Foot

Left Side

Right Side

OPTIONS

Base pad thickness: _____ inches.

Side pad thickness : _____ inches.

The above information is correct:

Signed

Date: _____

Print Name

Tel: 800-551-0055 Fax: 800-794-5483 www.gunnell-inc.com

Specifications and prices are subject to change without notice.

info@gunnell-inc.com Revised Feb 2021