

Phone _____
 Bill to _____

 Purchase Order # _____
 Account Contact _____
 Email Address _____

OCCIPITAL CRADLES WITH HARDWARE

Codes: E0955 & E1028

- 230S Small Occipital Cradle Headrest.....\$410.00
- 231S Small Occipital Cradle Headrest
w/Wire Mesh Insert.....\$430.00
- 230M Medium Occipital Cradle Headrest.....\$450.00
- 231M Medium Occipital Cradle Headrest
w/Wire Mesh Insert.....\$470.00
- 230L Large Occipital Cradle Headrest.....\$490.00
- 231L Large Occipital Cradle Headrest
w/Wire Mesh Insert.....\$510.00

Code: E0966

- B-169S 4" Extension for Positive Locking Multi-Axis
Headrest Hardware.....\$100.00
- B-169 6" Extension for Positive Locking Multi-Axis
Headrest Hardware.....\$125.00
- B-169L 8" Extension for Positive Locking Multi-Axis
Headrest Hardware.....\$150.00

Extensions Available for Multi-axis Offset Headrest Hardware Just Ask!

Code: E1028

Select Headrest Mounting Hardware

- Multi-Axis Offset Headrest Hardware
- Positive Locking Multi-Axis Headrest Hardware

**Multi-Axis
Offset Headrest Hardware**



**Seating System
Mounting Bracket**

**Positive Locking
Multi-Axis Headrest Hardware**



**Seating System
Mounting Bracket**

Codes: E0955

OCCIPITAL CRADLES WITHOUT HARDWARE

- A-310 Small Occipital Cradle Headrest Top.....\$275.00
- A-310WM Small Occipital Cradle Headrest
w/Wire Mesh Insert Top.....\$310.00
- A-311 Medium Occipital Cradle Headrest Top.....\$325.00
- A-311WM Medium Occipital Cradle Headrest
w/Wire Mesh Insert Top.....\$360.00
- A-313 Large Occipital Cradle Headrest Top.....\$375.00
- A-313WM Large Occipital Cradle Headrest
w/Wire Mesh Insert Top.....\$410.00

Code: E1028

OCCIPITAL CRADLE MOUNTING HARDWARE

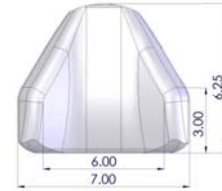
- A-309MA Occipital Cradle Mounting Hdwr. Assm.....\$350.00
 - Multi-Axis Offset Headrest Hardware
- A-309 Occipital Cradle Mounting Hdwr. Assm.....\$350.00
 - Positive Locking Multi-Axis Headrest Hardware

NOTE: HCPCS Codes provided were determined by SADMERC and/or interpretations of the codes. Proper use of codes does not ensure coverage or payment. Please contact a Medicare professional for further assistance.

Seating & Positioning HCPCS Order Form

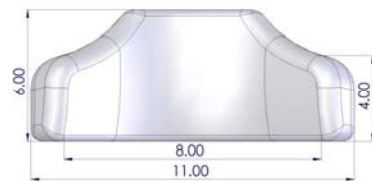
Authorized By _____
 Fax # _____
 Ship To _____

 Date _____
 Client Name _____



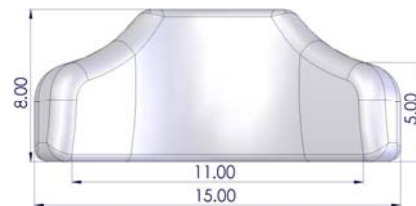
E0955

SMALL – 230S



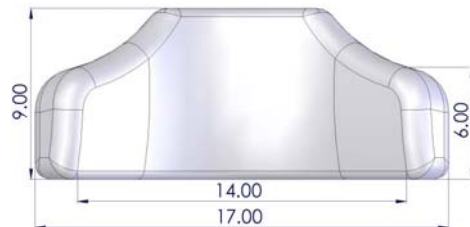
E0955

MEDIUM – 230M



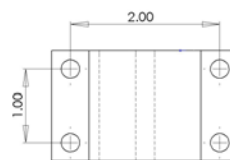
E0955

LARGE – 230L



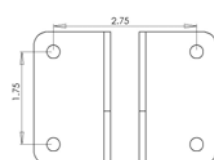
E0955

**Multi-Axis
Offset Headrest Hardware**



E1028

**Positive Locking
Multi-Axis Headrest Hardware**



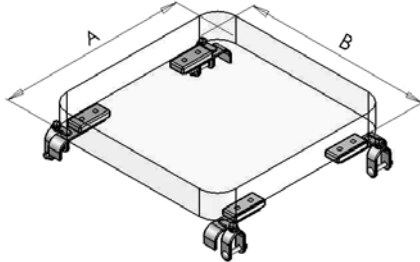
E1028

SEATING PACKAGES

(All Packages Shown with Quick Release Hardware)

Seating Configuration Diagram on Page 3

SOLID SEAT

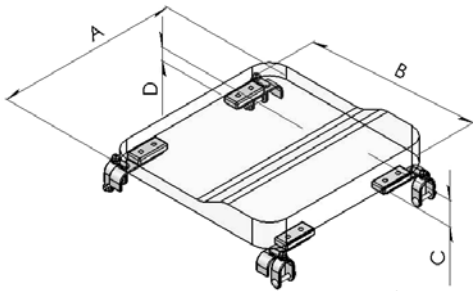


A	
B	

Code/s: E2607 or E2608 and/or K0108

- 490.00
- 020S Solid Seat Base with Standard Hardware.....\$490.00
- 020Q Solid Seat Base with Quick Release Hardware.....\$490.00

ANTI-THRUST SEAT

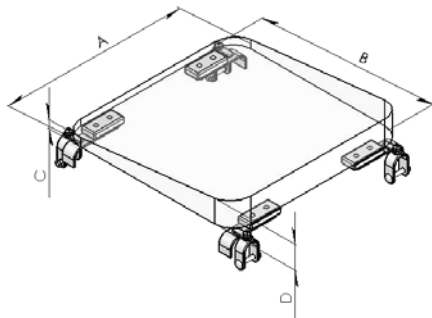


A		C	
B		D	

Code/s: E2607 or E2608 and/or K0108

- 030S Anti-thrust Seat Base with Standard Hardware.....\$450.00
- 030SQ Anti-thrust Seat Base with Quick Release Hardware.....\$500.00

WEDGE SEAT

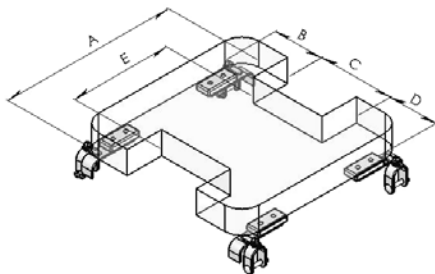


A		C	
B		D	

Code/s: E2607 or E2608 and/or K0108

- 040S Wedge Seat Base with Standard Hardware.....\$550.00
- 040SQ Wedge Seat Base with Quick Release Hardware.....\$600.00

I-MODIFICATION SEAT

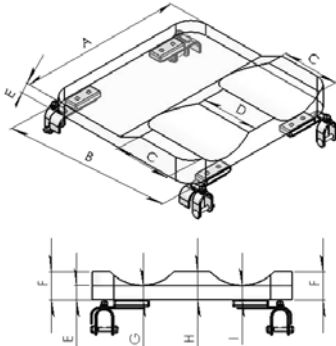


A		C		E	
B		D			

Code/s: E2607 or E2608 and/or K0108

- 050SN I-Modification Seat Base with No Hardware.....QUOTE
- 050S I-Modification Seat Base with Standard Hardware.....QUOTE
- 050SQ I-Modification Seat Base with Quick Release Hardware.....QUOTE

CONTOURED SEAT



A		C		E		G		I	
B		D		F		H			

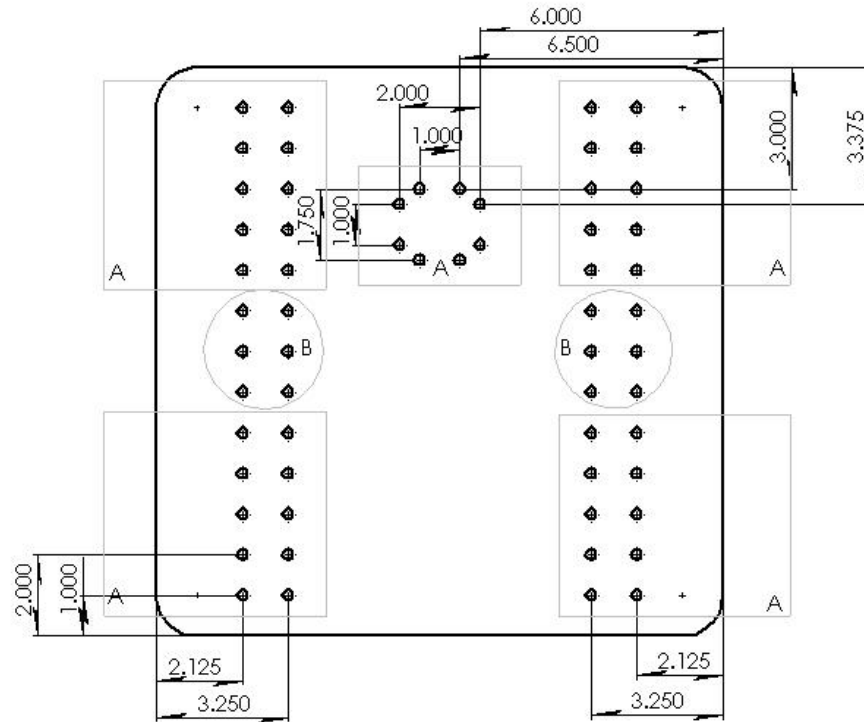
Code/s: E2607 or E2608 and/or K0108

- 060SN Contoured Seat Base with No Hardware.....QUOTE
- 060S Contoured Seat Base with Standard Hardware.....QUOTE
- 060SQ Contoured Seat Base with Quick Release Hardware.....QUOTE

NOTE: HCPCS Codes provided were determined by SADMERC and/or interpretations of the codes. Proper use of codes does not ensure coverage or payment. Please contact a Medicare professional for further assistance.

SEATING CONFIGURATION CHART

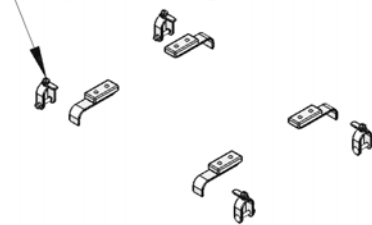
A = 1/4-20 T-Nuts
B = 10-32 T-Nuts w/ Laterals 1/4-20 w/o Laterals



A (center) = Attachment holes for an Abductor Bracket
B = Attachment holes for Hip Pad Brackets and/or Lateral Support Brackets

QUICK RELEASE SEATING HARDWARE

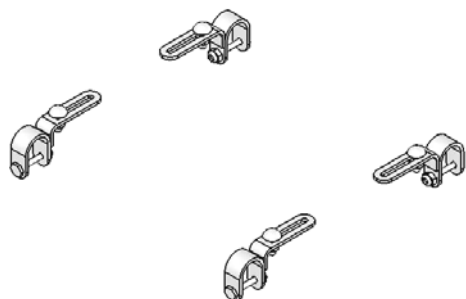
4 Adjustable Tongues



Code: K0108

QRSH Quick Release Seating Hardware.....\$225.00

STANDARD SEATING HARDWARE



Code: K0108

SAH Standard Seating Hardware.....\$180.00

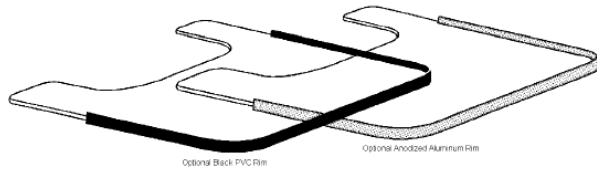
CUSTOM SEATING HARDWARE

Custom Hardware available upon request.
Please Ask!

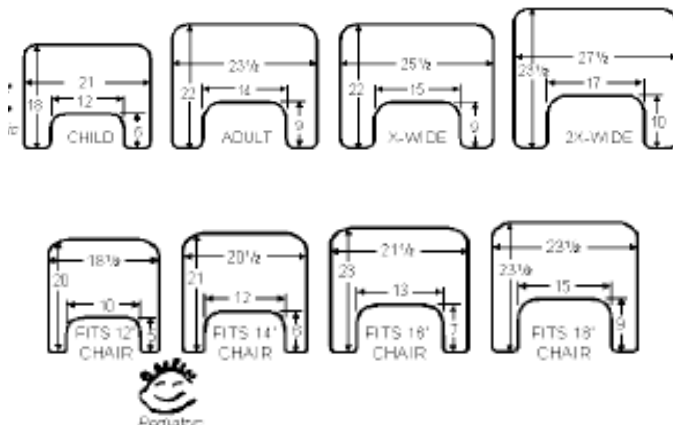
Code: K0108

- 399 Custom Seating Hardware.....Quote Only

TRAYS



Code/s: E0950 and/or K0108



- 531 Polycarbonate Tray with Black PVC Rim w/Straps
 - 531C Child Size.....\$350.00
 - 531A Adult Size.....\$375.00
 - 531X X-Wide Size.....\$400.00
 - 5312X 2X-Wide Size.....\$425.00
 - 53112 Fits 12" Wide Chair.....\$350.00
 - 53114 Fits 14" Wide Chair.....\$365.00
 - 53116 Fits 16" Wide Chair.....\$380.00
 - 53118 Fits 18" Wide Chair.....\$400.00
- 532 Polycarbonate Tray Trough Style Hardware.....add\$100.00
- 533 Polycarbonate Tray EZ Lock Clamp Hardware.....add\$200.00
- 534T Polycarbonate Tray with Padding.....add\$385.00

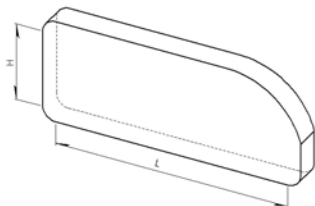
GEL CUSHIONS

Code: E2609

High Density Leak Proof Gel Packs with Sunmate Foam Incasement

- 399 Custom Gel Cushion.....Quote Only

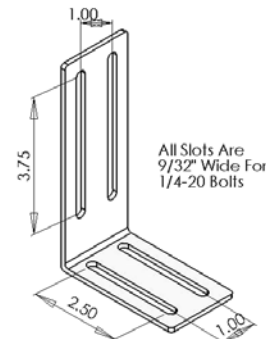
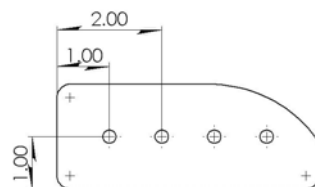
HIP PADS



H	
L	

Code: E0956

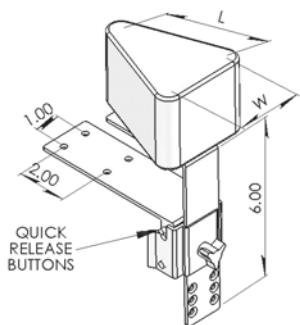
- 656XN Hip Pads without Hardware.....\$95.00/each
- 656X Hip Pads with Hardware.....\$125.00/each



NOTE: HCPCS Codes provided were determined by SADMERC and/or interpretations of the codes. Proper use of codes does not ensure coverage or payment. Please contact a Medicare professional for further assistance.

ABDUCTORS

(All Abduction Systems use 1/4-20 Bolts & Nuts)

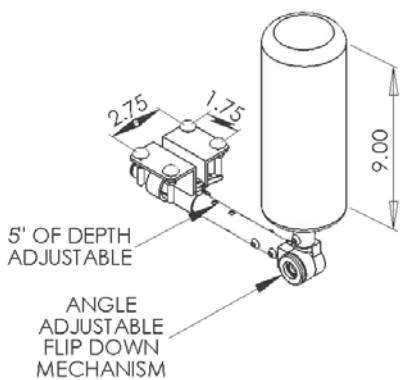


Flip Down Abduction System with Depth Adjustment

H	
L	

Code/s: E0957 and E1028

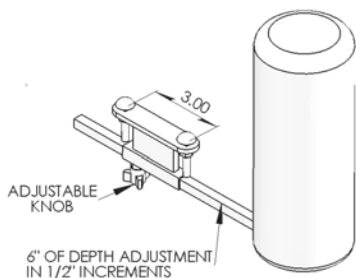
- Flip Down Abduction System with Adjustable Pommel.....N/A



Regular Abduction System with Depth Adjustment

Code/s: E0957 and E1028

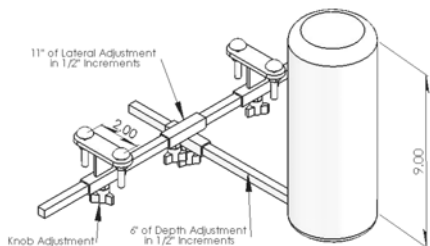
- A-035 Flip Down Abduction System with Depth Adjustment.....\$625.00



Laterally Adjustable Regular Abduction System with Depth Adjustment

Code/s: E0957 and E1028

- A-029 Regular Abduction System with Depth Adjustment.....\$320.00



Code/s: E0957 and E1028

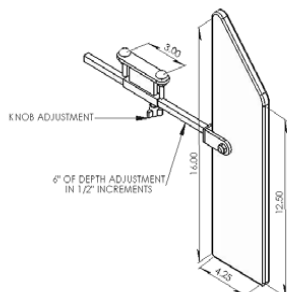
- A-030 Laterally Adjustable Regular Abduction System with Depth Adjustment.....\$375.00

NOTE: HCPCS Codes provided were determined by SADMERC and/or interpretations of the codes. Proper use of codes does not ensure coverage or payment. Please contact a Medicare professional for further assistance.

ABDUCTORS (cont.)

(All Abduction Systems use 1/4-20 Bolts & Nuts)

Regular Scissor Board Abduction System with Depth Adjustment



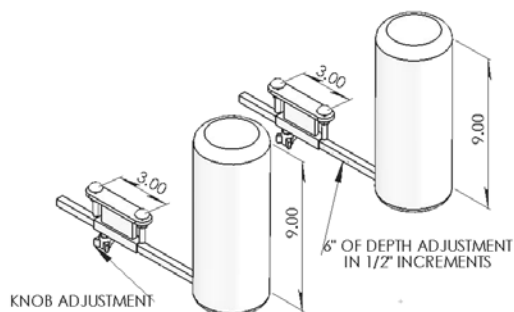
- A-033 Regular Scissor Board Abduction System with Depth Adjustment.....\$300.00
- A-034 Laterally Adjustable Scissor Board.....\$379.10

Code/s: E0957 and E1028

ADDUCTORS

(All Adduction Systems use 1/4-20 Bolts & Nuts)

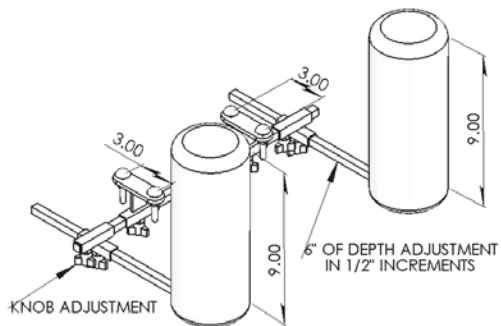
Regular Adduction System with Depth Adjustment



- A-031 Regular Adduction System with Depth Adjustment.....\$450.00

Code/s: E0956 and E1028

Laterally Adjustable Regular Adduction System with Depth Adjustment



- A-032 Laterally Adjustable Regular Adduction System with Depth Adjustment.....\$550.00

Code/s: E0956 and E1028

Replacement parts

- S-067 ABDUCTOR/ADDUCTOR FLEECE COVER.....\$ 55.25
- S-072 SCISSOR BOARD FLEECE COVER.....\$ 55.25
- S-068 ABDUCTOR/ADDUCTOR DARTEX COVER.....\$85.85
- S-070 SCISSOR BOARD DARTEX COVER.....\$85.85
- SPU-102 MED. ABDUCTOR PAD.....\$150.00

NOTE: HCPCS Codes provided were determined by SADMERC and/or interpretations of the codes. Proper use of codes does not ensure coverage or payment. Please contact a Medicare professional for further assistance.

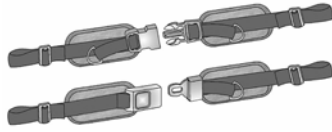
POSITIONING ACCESSORIES

HIP BELTS

(All Hip Belts attached using 1/4-20 Bolts, Nuts, and/or T-Nuts)

All positioning belts shown with pads and attach to chair with grommets

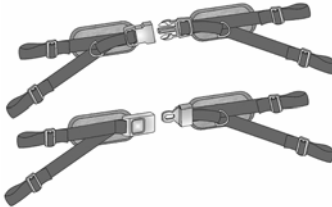
**651 & 652
 Single Closure Hip Belts**



600 (not pictured)

4 Point Single Closure Hip Belts

601 & 602



Code: E0960

- S-025 1.5" Hip Belt with Metal Buckle No Pad.....\$210.00
 Small 20" Medium 30" Large 40" Custom _____"
- S-026 2" Hip Belt with Metal Buckle No Pad.....\$215.00
- 652 1.5" Hip Belt with Plastic Buckle No Pad.....\$185.00
 Small 20" Medium 30" Large 40" Custom _____"
- 600 Hook-n-Loop Closure Belt\$170.00
 Small 20" Medium 30" Large 40" Custom _____"
- 337 Add Hip Belt Pad.....\$30.00

Code: E0960

- 601 1.5" 4-Point Hip Belt with Metal Buckle No Pad.....\$220.00
 Small 20" Medium 30" Large 40" Custom _____"
- 602 1.5" 4-Point Hip Belt with Plastic Buckle No Pad.....\$200.00
 Small 20" Medium 30" Large 40" Custom _____"
- 337 Add Hip Belt Pad.....\$45.95

ANTERIOR SUPPORTS

(All Anterior Supports attached using 1/4-20 Bolts, Nuts, and/or T-Nuts)

Chest Straps

Code: E0960

D-Ring used with Chest Strap Ring Style and 1/2" Pad and each can be made to custom lengths.

- S-022 Chest Strap Ring Style 4" Black with Velcro 46".....\$250.00
- S-023 Chest Strap Ring Style 4" Black with Fastex Buckle.....\$245.00
- S-037 Chest Strap Regular 2" Black with Velcro.....\$199.00
- S-056 Chest Strap Ring Style 4" Black Extra Long 58".....\$275.00
-
- S-058 Chest Strap Ring Style 4" Shoulder Straps & Fastex Buckle \$295.00
-

Code: E0960



- S-035 H-Harness.....\$ QUOTE
 Small 2" x 8" Medium 2" x 9.5"
 Large 2.5" x 11.75" X-Large 2.5" x 14"

NOTE: HCPCS Codes provided were determined by SADMERC and/or interpretations of the codes. Proper use of codes does not ensure coverage or payment. Please contact a Medicare professional for further assistance.

ANTERIOR SUPPORTS (cont.)

4 Point Chest Harnesses



Code: E0960

- 332 4 Point Chest Harness with Plastic Buckles.....QUOTE
 - Female Male
 - X-Small Small Medium Large X-Large



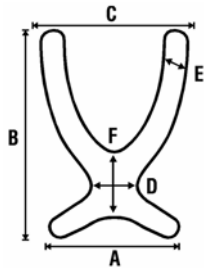
Code: E0960

- 333 4 Point Zipper Chest Harness with Plastic Buckles.....QUOTE
 - Female Male
 - Small Medium Large
 - Junior Miss Plus

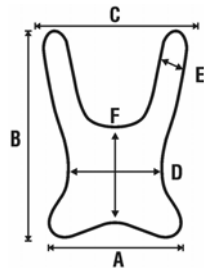


Code: E0960

- 336 4 Point Front Close Harness with Plastic Buckles.....QUOTE
 - Male
 - Small Medium Large



FEMALE

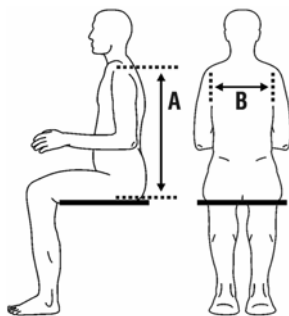


MALE

VEST MEASUREMENTS

NO ZIPPER	A	B	C	D	E	F
Male X-Small	5.5"	7.5"	7.5"	4.75"	1.5"	3.5"
Male Small	7"	12"	9.5"	5.5"	1.75"	2.75"
Male Medium	8.25"	14.25"	11.5"	6.5"	2.25"	3"
Male Large	8.75"	17.75"	11.25"	6.75"	2.5"	5.25"
Male X-Large	11"	21"	13"	7.5"	3"	7"
Female Small	7"	10.75"	9.5"	2"	2"	5.25"
Female Medium	8.25"	12.5"	9.5"	2"	2"	5.75"
Female Large	8.25"	15.25"	12"	2"	2.25"	7.5"
ZIPPER						
Male Small	7"	11.75"	9"	6"	1.75"	5"
Male Medium	8.5"	14.25"	10.75"	7"	2.25"	5"
Male Large	9"	17.25"	11.75"	7.25"	2.5"	6.5"
Female Junior	9.25"	14"	10.5"	3.5"	2"	6.5"
Female Miss	12.75"	16"	12"	3"	2"	6.5"
Female Plus	12.25"	20.5"	10"	3.5"	2.75"	6.5"

FITTING RECOMMENDATION CHART



	A: Shoulder to Seat	B: Armpit to Armpit
Male X-Small	8" to 12"	7" to 8"
Male Small	12" to 15"	8" to 9"
Male Medium	16" to 20"	9" to 11"
Male Large	21" to 22"	11" to 14"
Male X-Large	23" to 25"	11" to 14"
Female Small	10" to 14"	7" to 8"
Female Medium	12" to 16"	8" to 9"
Female Large	17" to 20"	9" to 10"
Female Junior	16" to 20"	9" to 10"
Female Miss	21" to 22"	11" to 14"
Female Plus	23" to 24"	13" to 16"

NOTE: HCPCS Codes provided were determined by SADMERC and/or interpretations of the codes. Proper use of codes does not ensure coverage or payment. Please contact a Medicare professional for further assistance.

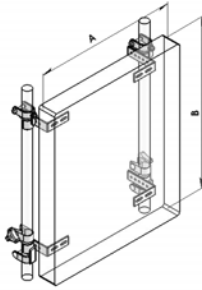
Note: A vest or harness is not a safety device. It is to be used for positioning only and a metal seat belt is required also.

BACK REST PACKAGES

(All Packages Shown with Quick Release Hardware)

Planar Back Diagram on Page 9

SOLID BACK

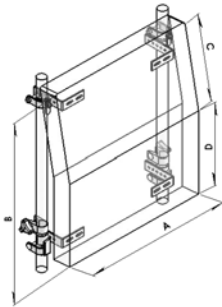


A	
B	

Code/s: E2613 or 2614 and/or K0108

- 020N Solid Back Base with No Hardware.....\$399.00
- 020B Solid Back Base with Standard Hardware.....\$490.00
- 020BQ Solid Back Base with Quick Release Hardware.....\$490.00

BI-ANGULAR BACK

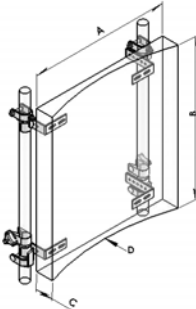


A		C	
B		D	

Code/s: E2613 or 2614 and/or K0108

- 030BN Bi-Angular Back Base with No Hardware.....QUOTE
- 030B Bi-Angular Back Base with Standard Hardware.....QUOTE
- 030BQ Bi-Angular Back Base with Quick Release Hardware.....QUOTE

CURVED BACK

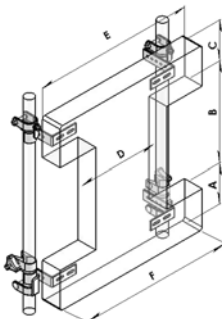


A		C	
B		D	

Code/s: E2613 or 2614 and/or K0108

- 040BN Curved Back Base with No Hardware..... QUOTE
- 040B Curved Back Base with Standard Hardware..... QUOTE
- 040BQ Curved Back Base with Quick Release Hardware.....QUOTE

I-MODIFICATION BACK



A		C		E	
B		D		F	

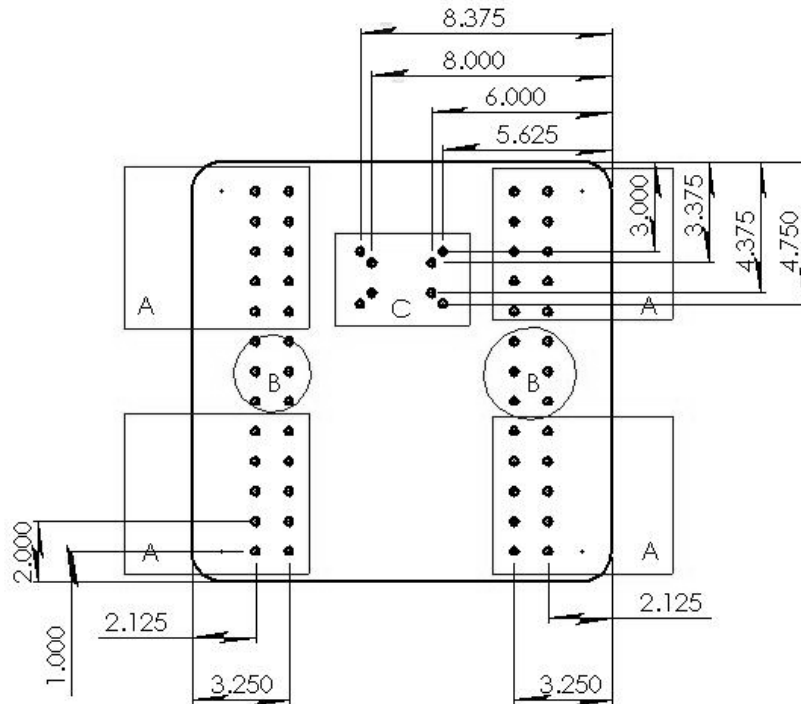
Code/s: E2613 or 2614 and/or K0108

- 050BN I-Modification Back Base with No Hardware..... .QUOTE
- 050B I-Modification Back Base with Standard Hardware..... .QUOTE
- 050BQ I-Modification Back Base with Quick Release Hardware QUOTE

NOTE: HCPCS Codes provided were determined by SADMERC and/or interpretations of the codes. Proper use of codes does not ensure coverage or payment. Please contact a Medicare professional for further assistance.

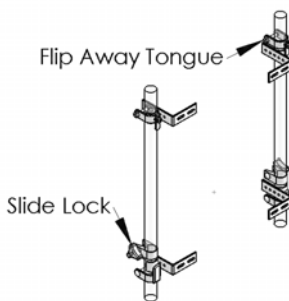
PLANAR BACK CONFIGURATION CHART

A = 1/4-20 T-Nuts
B = 10-32 T-Nuts w/Laterals or 1/4-20 w/o Laterals



B = Attachment holes for Torso/Lateral Pad Brackets 10-32 T-Nuts
C = Attachment holes for an Occipital Head Cradle Bracket

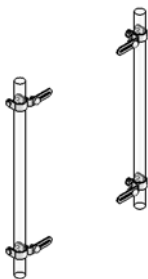
PLANAR QUICK RELEASE BACK HARDWARE



Code: K0108

QRBH Quick Release Back Hardware.....\$300.00

PLANAR STANDARD BACK HARDWARE



Code: K0108

BAH Standard Back Hardware.....\$225.00

NOTE: HCPCS Codes provided were determined by SADMERC and/or interpretations of the codes. Proper use of codes does not ensure coverage or payment. Please contact a Medicare professional for further assistance.

CUSTOM BACK HARDWARE

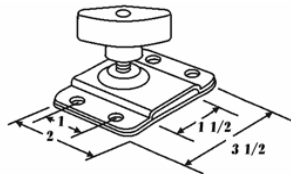
Code: K0108

**Custom Hardware available upon request.
Please Ask!**

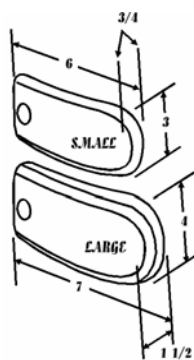
- 399 Custom Seating Hardware.....Quote Only

PLANAR THORACIC SUPPORTS

Back Mounting Bracket



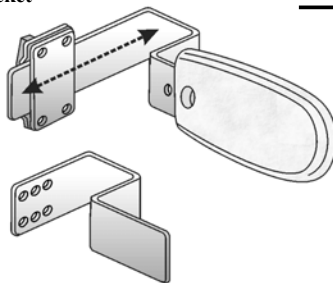
Lateral Pads



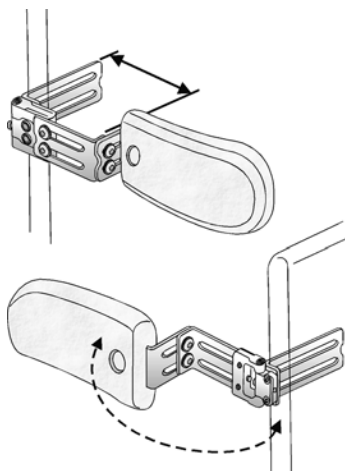
Code: E0956

- A-025 Fixed Lateral Trunk Supports (pair).....\$295.00
- Lateral Pads: Small Large
- Custom: Length _____" Width _____" Depth _____"
- Bracket Offset: 0.00" 1.00" 2.00" Custom _____"

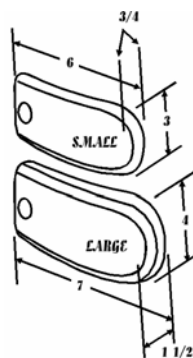
Offset Bracket



Swing Away Lateral Trunk



Lateral Pads



Code/s: E0956 and E1028

- 307 Swing Away Lateral Trunk Supports (pair).....\$475.00
- Lateral Pads: Small Large
- Custom: Length _____" Width _____" Depth _____"
- Bracket Offset: 0.00" 1.00" 2.00" Custom _____"
- S049 Lateral Pad REPLACEMENT COVER.....\$55.25

NOTE: HCPCS Codes provided were determined by SADMERC and/or interpretations of the codes. Proper use of codes does not ensure coverage or payment. Please contact a Medicare professional for further assistance.