

SELF PROPELLING GURNEY OPTION

Rehab MAC

Made in the U.S.A.



Date

Account #

Account Contact

Company

First Name

Last Name

Phone Number

Shipping Address

Billing Address

Street Address

Street Address

City

State

City

State

Zip Code

Zip Code

Email

Comments



GUNNELL INC.
MOBILITY SOLUTIONS



PHONE: 800-551-0055



WEBSITE: GUNNELL-INC.COM





Standard Features

- Heavy duty frame and parts (400 lbs Weight Capacity)
- 8" Casters
- 20" RearWheels
- Height Adjustable Stroller Handle
- 5 year warranty on all Gunnell designed products.
- 90 Days on All Padding

Frame Options

Choose between Standard - Black or Another Color

Standard - Black



Graphite Black - \$250



Black Wrinkle - \$250



Lime Green - \$250



Forest Green - \$250



Signal Violet - \$250



Baby Blue - \$250



Midnight Blue - \$250



Tangerine - \$250



Ruby Red - \$250



Traffic Red - \$250



Maroon - \$250



Sunny Yellow - \$250



Bubblegum Pink - \$250



Raspberry - \$250



Blue Violet - \$250



Cornflower Blue - \$250



Sky White - \$250



Grey Smoke - \$250



Misty Grey - \$250



Platform Width

(Dimension IDW)

SPW 22"-Standard Platform Width - \$1,012.50
SPCW-001-Custom Platform Width - \$1,282.50 *In Inches*

Platform Length

(Specify Dimensions) (Dimensions IDL)

SPL 70"-Standard Platform Length - \$1,012.50
SPCL-001-Custom Platform Width - \$1,282.50 *In Inches*

Platform to Floor Height

(Dimension H)

SPFH20 18" Platform to Floor Height (with 20" wheels) - \$1,012.50
SPFH24 22" Platform to Floor Height (with 24" wheels) - \$1,147.50
SPFH-001 Custom Platform to Floor Height - \$1,552.50 *In Inches*

Platform Sides - Optional

(Dimension SH)

SPS-001 8" Fixed Foot Side - N/C
of sides
SPS-001F 8" Fixed Sides - \$668.25/side
of sides
SPS-002 8" Flip Down Hinged Sides - \$1,046.25/side
of sides
SPS-003 8" Adjustable Angle Positive Locking Sides - \$1,485/side
of sides
SPS-002R 8" Removable Platform Sides - \$1,188/side
of sides
SPS-002RA 8" Removable Angle Adjustable Positive Locking Sides - \$1,728/side
of sides
SPS -005 Custom Height Sides - \$168.75/side
(MUST SPECIFY) Desired Height # of sides

Platform Base Padding Options

SPBP-001 1" Poly Base - \$472.50
SPBP-002 1" Sunmate Base Pad (Specify Density) - \$810
Soft Medium
SPBP-003 2" Poly Base - \$607.50
SPBP-004 2" Sunmate Base (Specify Density) - \$1,215
Soft Medium
SPBP-009 Custom Base Padding - Quote

Platform Cover Options

SPBP-005 Vinyl Padding Cover with Zipper - \$519.75
SPBP-006 Dartex Padding Cover with Zipper - \$945
SPBP-007 Rubatex Padding Cover with Zipper - \$1,296

Side Padding Options - Optional

SPSP-001 1/2" Poly Side Pads - \$391.50 each QTY
SPSP-002 1/2" Sunmate Side Pads (specify density) - \$607.50 each
Soft Medium QTY
SPSP-003 1" Poly Side Pads - \$526.50 each QTY
SPSP-004 1" Sunmate Side Pads (specify density) - \$877.50 each
Soft Medium QTY

Platform Side Cover Options - Optional

SPSP-005 Vinyl Padding Cover with Zipper - \$162 each QTY
SPSP-006 Darlex Padding Cover with Zipper - \$648 each QTY
SPSP-007 Rubatex Padding Cover with Zipper \$592.65 each QTY
SPSP-008 Custom Side Padding - Quote

Wheel Options

SPW20 20" Rear Wheels - N/C
SPR24 24" Rear Wheels - \$472.50
Optional Add-On: SP-FF Flat Free Wheel Option - \$168.75

Stroller Handle Options

SPSH Height Adjustable Stroller Handle - N/C
SPO-003 Height & Angle Adjustable Stroller Handle - \$808.65

Custom Options

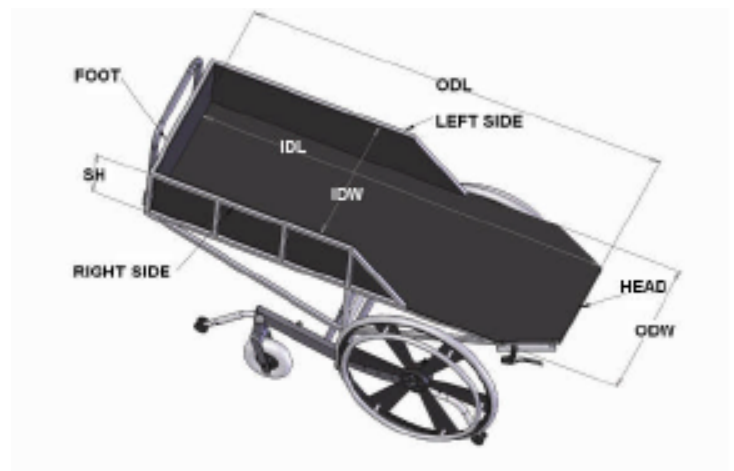
Select any of the following:

SPCO-TS Tilt in Space - \$5,130
SPCO-003 Lateral Tilt - \$5,130
SPCO-TP Transportation Package - \$1,687.50
SPCO-001 Tapered Corners - \$506.25
SPCO-012 Roller Bumpers - \$506.25
SPCO-002 IV-Pole - \$540
SPCO-013 Anti Tip - \$100
SPCO-019 Vent Tray - \$538.65

Power Options

Select any of the following:

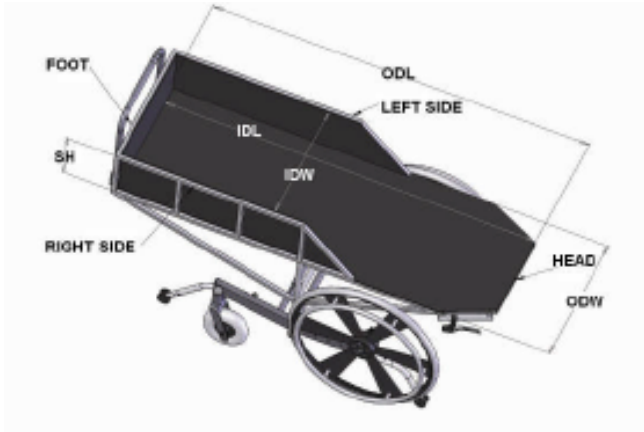
SPCO-PATS Tilt in Space - \$6,075
SPCO-PALT Lateral Tilt - \$6,075
SPCO-PALF Power Lift - \$12,757.50



SELF PROPELLING GURNEY OPTION

Rehab MAC

Made in the U.S.A.



Finished Product Dimensions

Inside Length IDL:

Inside Width IDW:

Outside Length ODL:

Outside Width ODW:

Height of Side (see notes 7,8,9 above) SH:

Platform to Floor Height (see note 6 above) H:

Maximum allowable cart width (maximum allowable cart width for going through doors) ODW:



Platform Sides

Number of Sides (including head and foot):

Head	Foot
Left Side	Right Side

Options

Base pad thickness (*in inches*)

Side pad thickness (*in inches*)

Footnotes

1. Gunnell will select factory settings if no setting is made

2. Inside Width (IDW): The measurement between side pads, side ABS, or width of top platform, whichever is smallest

3. Inside Length (IDL): The measurement between side pads, side ABS, or width of top platform, whichever is smallest

4. Outside Width (ODW): Inside Width, IDW, plus the following

measurement whenever applicable:

(i) 2" for fixed sides;

(ii) 3" for hinged flip down sides;

(iii) 4" for removable sides when sides not removed;

(iv) 4.5" for angle adjustable locking sides; and

(v) padding thickness

5. Outside Width is the Inside Width for removable sides when sides removed

6. Platform to Floor Height: measurement from the ground to the top of the platform below the ABS. Add seat base padding for desired final Platform to Floor Height where applicable.

7. Maximum 4 sides: head, foot, left side and right side.

8. Side Height: measurement from the top of sides to the top of steel platform, ABS, or base pads, whichever is the smallest

9. Factory setting of 8" Side Height is measured from top of steel platform to the top of sides