

FLAT PLATFORM

Made in the U.S.A.



Date

Account #

Account Contact

Company

First Name

Last Name

Phone Number

Shipping Address

Billing Address

Street Address

Street Address

City

State

City

State

Zip Code

Zip Code

Email

Comments

Note: To avoid customer confusion, we are separating the head and foot sides from the left and right sides. Head and foot barriers are now referred to as "Rails" and are selected separately from the sides. "Sides" now only refers to the left and/or right barriers, if selected.





Standard Features

Base Price FP-001 - \$4,875

- Heavy duty frame and parts (400 lbs Weight Capacity)
- 8" Casters
- 20" Rear Wheels
- Height Adjustable Stroller Handle
- 5 year warranty on all Gunnell designed products.
- 90 Days on All Padding
- Anti-tips
- Manual Brakes

Frame Options

Choose between Standard - Black or Another Color

Standard - Black



Graphite Black - \$250



Black Wrinkle - \$250



Lime Green - \$250



Forest Green - \$250



Signal Violet - \$250



Baby Blue - \$250



Midnight Blue - \$250



Tangerine - \$250



Ruby Red - \$250



Traffic Red - \$250



Maroon - \$250



Sunny Yellow - \$250



Bubblegum Pink - \$250



Raspberry - \$250



Blue Violet - \$250



Cornflower Blue - \$250



Sky White - \$250



Grey Smoke - \$250



Misty Grey - \$250



Platform Width

(Dimension IDW)

FPW 22"-Standard Platform Width - \$1,012.50
 FPCW-001-Custom Platform Width - \$1,282.50 *In Inches*

Platform Length

(Specify Dimensions) (Dimensions IDL)

FPL 70"-Standard Platform Length - \$1,012.50
 FPCL-001-Custom Platform Width - \$1,282.50 *In Inches*

Platform to Floor Height

(Dimension H)

FPFH20 18" Platform to Floor Height (with 20" wheels) - \$1,012.50
 FPFH24 22" Platform to Floor Height (with 24" wheels) - \$1,147.50
 FPFH-001 Custom Platform to Floor Height - \$1,552.50 *In Inches*

Platform Rails

FPS-001 Foot Rail - N/C
 FPS-001F 8" Fixed Head Rail - \$668
 FPS-002 8" Flip Foot Rail - \$1,046
 FPS-002 8" Flip Head Rail - \$1,046

Platform Sides - Optional

(Dimension SH)

FPS-001F 8" Fixed Sides - \$668.25/side
 # of sides
 FPS-002 8" Flip Down Hinged Sides - \$1,046.25/side
 # of sides
 FPS-003 8" Adjustable Angle Positive Locking Sides - \$1,485/side
 # of sides
 FPS-002R 8" Removable Platform Sides - \$1,188/side
 # of sides
 FPS-002RA 8" Removable Angle Adjustable Positive Locking Sides - \$1,728/side
 # of sides
 FPS -005 Custom Height Sides - \$168.75/side
 (MUST SPECIFY) Desired Height # of sides

Platform Tilt in Space

FPTIS Anterior (22.5°)/Posterior(22.5°) Tilt in Space - N/C
 FPTIS-006 Custom Anterior(A)/Posterior(P) Tilt in Space - \$800

45°A / 0°P	40°A / 5°P	35°A / 10°P	30°A / 15°P
25°A / 20°P	20°A / 25°P	15°A / 30°P	
10°A / 35°P	5°A / 40°P	0°A / 45°P	

Platform Base Padding Options

FPBP-001 1" Poly Base - \$472.50
 FPBP-002 1" Sunmate Base Pad (Specify Density) - \$810
 Soft Medium
 FPBP-003 2" Poly Base - \$607.50
 FPBP-004 2" Sunmate Base (Specify Density) - \$1,215
 Soft Medium
 SPBP-009 Custom Base Padding - Quote

Platform Cover Options

FPBP-005 Vinyl Padding Cover with Zipper - \$519.75
 FPBP-006 Dartex Padding Cover with Zipper - \$945
 FPBP-007 Rubatex Padding Cover with Zipper - \$1,296

Rail Padding Options - Optional

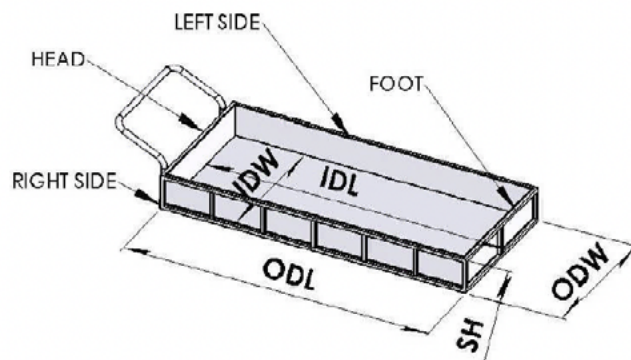
FPSP-001 1/2" Poly Rail Pads - \$391.50 each QTY
 FPSP-002 1/2" Sunmate Rail Pads (specify density) - \$607.50 each
 Soft Medium QTY
 FPSP-003 1" Poly Rail Pads - \$526.50 each QTY
 FPSP-004 1" Sunmate Rail Pads (specify density) - \$877.50 each
 Soft Medium QTY

Side Padding Options - Optional

FPSP-001 1/2" Poly Side Pads - \$391.50 each QTY
 FPSP-002 1/2" Sunmate Side Pads (specify density) - \$607.50 each
 Soft Medium QTY
 FPSP-003 1" Poly Side Pads - \$526.50 each QTY
 FPSP-004 1" Sunmate Side Pads (specify density) - \$877.50 each
 Soft Medium QTY

Rail Cover Options - Optional

FPSP-005 Vinyl Padding Cover with Zipper - \$162 each QTY
 FPSP-006 Darlex Padding Cover with Zipper - \$648 each QTY
 FPSP-007 Rubatex Padding Cover with Zipper \$592.65 each QTY
 FPSP-008 Custom Rail Padding - Quote



Side Cover Options - Optional

FPSP-005 Vinyl Padding Cover with Zipper - \$162 each	QTY
FPSP-006 Darlex Padding Cover with Zipper - \$648 each	QTY
FPSP-007 Rubatex Padding Cover with Zipper \$592.65 each	QTY
FPSP-008 Custom Side Padding - Quote	

Wheel Options

FPW20 20" Rear Wheels - N/C
FPR24 24" Rear Wheels - \$472.50
Optional Add-On: SP-FF Flat Free Wheel Option - \$168.75

Stroller Handle Options

FPSH Height Adjustable Stroller Handle - N/C
FPO-003 Height & Angle Adjustable Stroller Handle - \$808.65

Custom Options

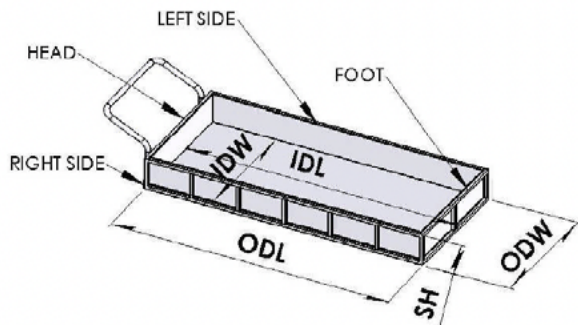
Select any of the following:

FPCO-TS Tilt in Space - \$5,130
FPCO-003 Lateral Tilt - \$5,130
FPCO-TP Transportation Package - \$1,687.50
FPCO-001 Tapered Corners - \$506.25
FPCO-012 Roller Bumpers - \$506.25
FPCO-002 IV-Pole - \$540
FPCO-013 Anti Tip - \$100
FPCO-019 Vent Tray - \$538.65

Power Options

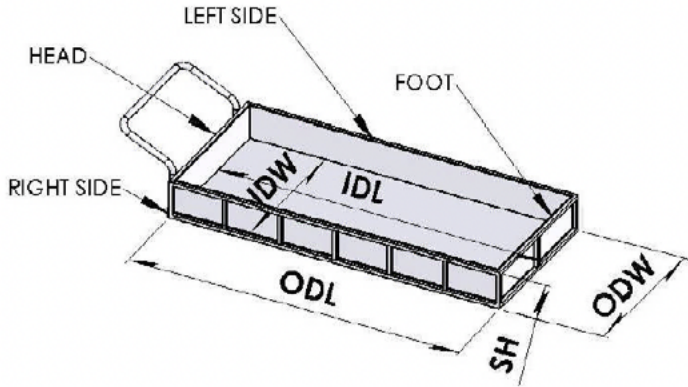
Select any of the following:

FPCO-PATS Tilt in Space - \$6,075
FPCO-PALT Lateral Tilt - \$6,075
FPCO-PALF Power Lift - \$12,757.50



FLAT PLATFORM

Made in the U.S.A.



Finished Product Dimensions

- Inside Length IDL:
- Inside Width IDW:
- Outside Length ODL:
- Outside Width ODW:
- Height of Side (see notes 7,8,9 above) SH:
- Platform to Floor Height (see note 6 above) H:

Maximum allowable cart width (maximum allowable cart width for going through doors) ODW:



Platform Sides/Rails

Number of Sides (including head and foot):

Head Rail	Foot Rail
Left Side	Right Side

Options

- Base pad thickness (in inches)
- Side pad thickness (in inches)

Footnotes

1. Gunnell will select factory settings if no setting is made
2. Inside Width (IDW): The measurement between side pads, side ABS, or width of top platform, whichever is smallest
3. Inside Length (IDL): The measurement between side pads, side ABS, or width of top platform, whichever is smallest
4. Outside Width (ODW): Inside Width, IDW, plus the following measurement whenever applicable:
 - (i) 2" for fixed sides;
 - (ii) 3" for hinged flip down sides;
 - (iii) 4" for removable sides when sides not removed;
 - (iv) 4.5" for angle adjustable locking sides; and
 - (v) padding thickness
5. Outside Width is the Inside Width for removable sides when sides removed
6. Platform to Floor Height: measurement from the ground to the top of the platform below the ABS.
7. Maximum 4 sides/rails: head, foot, left side and right side.
8. Side/Rail Height: measurement from the top of sides to the top of steel platform, ABS, or base pads, whichever is the smallest
9. Factory setting of 8" Side/Rail Height is measured from top of steel platform to the top of sides